

HHR | DOUBLE ACTING HOLLOW PISTON CYLINDERS

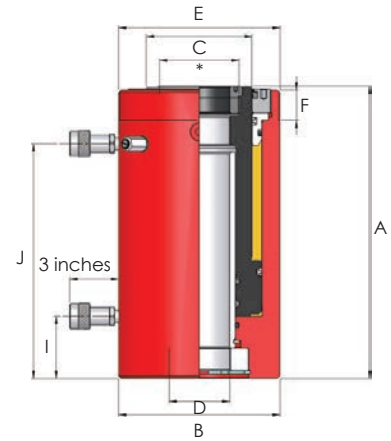
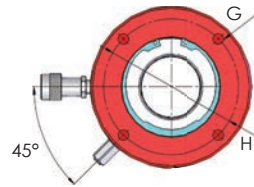


Capacities from 36 to 272 tons

Stroke lengths from 2.01 to 12.02 inches

Working pressure 10000 psi

- ▶ Double acting design for enhanced operating stages
- ▶ Hollow piston design for tooling, maintenance and tensioning applications
- ▶ Nitrocarburized piston rod for corrosion resistance
- ▶ Low friction bearing surfaces
- ▶ Annular area overload protection valve
- ▶ Anti-extrusion seals for improved performance at high pressures
- ▶ Collar threads withstand full load
- ▶ Optional piston rod saddles listed on pages 24 and 25



Note: 36 & 67 ton models feature 2 base mouting holes at 90° from coupler.
*see pages 24 and 25

Model number	Capacity (tons)		Stroke (in)	Oil capacity (in ³)	Cylinder eff. area (in ²)	Weight (lbs)	Dimensions (in) (unless otherwise stated)									
	Push	Pull					A	B	C	D	E	F	G	H	I	J
HHR302	36	26	2.01	14.52	7.24	26.9	7.09	4.53	2.38	1.38	4 1/2"-12 UN	1.58	M8	3.62	1.1	4.69
HHR306	36	26	5.91	42.76	7.24	38.8	10.99	4.53	2.38	1.38	4 1/2"-12 UN	1.58	M8	3.62	1.1	8.59
HHR3012	36	26	12.02	86.86	7.24	56.7	17.1	4.53	2.38	1.38	4 1/2"-12 UN	1.58	M8	3.62	1.1	14.7
HHR603	67	42	2.99	39.77	13.28	67.5	9.42	6.3	3.62	2.17	6 1/4"-12 UN	1.77	M12	5.12	1.22	6.54
HHR606	67	42	5.99	79.54	13.28	91.7	12.41	6.3	3.62	2.17	6 1/4"-12 UN	1.77	M12	5.12	1.22	9.53
HHR6010	67	42	10.01	132.92	13.28	115.7	16.43	6.3	3.62	2.17	6 1/4"-12 UN	1.77	M12	5.12	1.22	13.55
HHR1003	112	47	2.99	66.31	22.18	151.0	12.21	8.39	5.52	3.15	8 3/8"-12 UN	1.58	M16	7.01	3.23	9.22
HHR1006	112	47	5.99	132.61	22.18	198.4	15.21	8.39	5.52	3.15	8 3/8"-12 UN	1.58	M16	7.01	3.23	12.21
HHR1508	168	78	8	263.52	32.98	374.8	19.82	10.64	7.25	4.02	n/a	n/a	n/a	na	3.86	15.33
HHR2508	272	84	8	429.38	53.71	593.0	19.9	13.79	10.01	5.91	n/a	n/a	n/a	na	3.86	15.33

Note: If specifying this cylinder for use with the SLF and SLV synchronous lifting systems and associated mounting kit, please consider the increase in dimension A (closed height), see pages 43 and 47.